

WESTIN

THE WESTIN COOKER HOOD COLLECTION



CONTENTS

DISCOVER WESTIN	4
THE HEART OF YORKSHIRE	6
DESIGN	8
MANUFACTURING	10
CUSTOMER SERVICE	12
CHOOSING THE RIGHT PRODUCT	16
THE COLLECTION	18
REMOTE MOTORS	104
CONTROLS	108
BESPOKE	114
TAILORED DESIGN	116
BESPOKE GALLERY	120





DISCOVER WESTIN

Over the years, Westin has become a name synonymous with quality and excellence within the British kitchen industry.

At Westin, we don't just sell a cooker hood. Through a consultation process, we select a hood that will work perfectly in harmony with the most important factors, how you like to cook and how you plan to use the kitchen. We firmly believe that all home cooking should be without compromise in performance or design, be it with a standard cooker hood solution, or through the unique bespoke service, we believe that all home cooking should be, in short... limitless.

In 2021 we celebrated our centenary as a company, and while this was a momentous milestone for us, we remain as firmly committed to innovation as ever, as shown in the current collection, which combines years of extraction expertise, combined with precision British manufacturing and cutting-edge modern design.



THE HEART OF YORKSHIRE

Founded in 1921 and manufacturing
cooker hoods in the same premises
in the heart of Yorkshire, a lot of
things have changed since then, but
we have stuck to the core beliefs of

using local talent to manufacture
beautiful products with pride, along
with a personal approach to customer
service.



DESIGN

The Westin design team combine their extensive cooker hood expertise with the latest technology to lead the way in quality and innovation.

Our designers collaborate with customer service and manufacturing to create stunning cooker hoods with the desired performance. Their creativity and experience have developed the collection with continuous improvements and new product additions.

Attention to detail is invaluable when modifications are required to products using the Westin bespoke service, and as specialists, our designers can advise on both performance and aesthetics.

The specialist knowledge acquired over many years means our design team can achieve optimum performance for both simple and complex situations.





MANUFACTURING

The Westin manufacturing team is based in Huddersfield and take pride in the high quality of products produced.

The factory has leading edge machinery for folding and cutting the steel, but to achieve the highest standard of finish many of the manufacturing processes are done by hand including polishing, welding, wiring, packing and storing.

For paint finishes, the hood is baked in an oven to ensure the durability of the paint, but prior to that the hoods are spray painted by hand to achieve a high quality finish.

Our manufacturing team have specialist skills and have been highly trained to produce beautiful cooker hoods that compliment any kitchen design.

The same precision and detail is applied to every hood that is manufactured, whether it is in the standard collection, or a Westin bespoke hood.

The Westin name is synonymous with high quality, our manufacturing team understand that the hood is just one part of a luxury kitchen design.



CUSTOMER SERVICE

Westin are a well-established British manufacturer of cooker hoods for domestic kitchens and we pride ourselves on our traditional approach to customer service which is both personable and friendly.

As cooker hood specialists with a wealth of experience, no job is too small nor too big to advise upon.

Whether you choose a Westin hood or require a Westin Bespoke solution, our customer service team will guide you through the whole process and ensure that your cooker hood performs as you need it to.

With our comprehensive after sales service, we are here for you throughout the life of your hood.





CHOOSING THE RIGHT PRODUCT

Serious cooks with serious cookers need their hoods to perform. Westin can advise on the most effective solution for you.

The effectiveness of a cooker hood is not just determined by the power of the motor, it is affected by duct size, duct length, duct bends and the area available for the fumes to collect prior to extraction

THE COLLECTION

The collection offers a wide variety of model types, many with a choice of options and specification.

The Collection includes the most popular Westin hoods in set sizes to match most hob dimensions and power.

Most of the hoods in the Collection are available in a multitude of width and power options to ensure that the hood is perfectly tailored to the hob and cooking style.

Whether cooking is light, or intense, or the room is ultra-modern or traditional, there is a standard Westin hood for every kitchen.

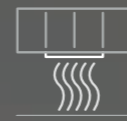


CEILING SERIES

Designed to fit British ceilings, our ceiling hoods are ideal for open plan kitchens, giving a clear, unobstructed view.

Ceiling hoods are most effective when mounted in the highest point of the ceiling, providing extraction for the whole room and not just the local area of the hob.

Kitchen by Grid Thirteen Luxury Kitchens. Image by Andy Haslam



BUILT IN SERIES

Designed to fit into a cabinet, inglenook or mantel above the hob, our built-in over hob hoods are very

effective at local extraction from the hob. The fumes reach the hood within seconds and are extracted quickly.

Kitchen by Hetherington Newman



WALL MOUNTED SERIES

Designed to be wall mounted above the hob, our wall mounted hoods come in a wide range of designs, from the more traditional through to the

ultra-modern, enabling the cooking area to become the stylish focus of the kitchen.



ISLAND SERIES

Designed as statement pieces over an island these eye-catching hoods with unique styles ensure that the

island becomes the key feature in the kitchen.



SURFACE SERIES

Worktop level hoods are discreet units which are ideal for minimalist kitchens. Extraction can be integrated within a fully featured induction hob, or a Downdraft unit can be used. These are designed to rise from the

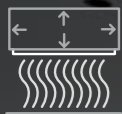
worktop alongside the hob and disappear when not in use. These high-tech hoods are a popular choice, providing efficient local extraction.



PROFESSIONAL SERIES

The Professional series features a selection of Westin hoods designed for the keen home cook, including that all-important extra power.

Professional hoods in the collection are marked on the product page by the Westin Pro logo.



BESPOKE

The Westin bespoke consultation service gives you the opportunity to design a cooker hood to your exacting requirements.

Whether you require an aesthetically unique design or need optimum performance for your cooker type and cooking style, or a combination of both... then Westin bespoke is for you.

If required, a technical site survey can be arranged to give individual expert advice on the ideal solution based on your circumstances.



BESPOKE



THE COLLECTION

CEILING SERIES 30

STRATUS	32
STRATUS FLUSH	35
STRATUS AIR	36
STRATUS EDGE	39
STRATUS COMPACT	40
STRATUS BLADE	43
STRATUS 360	44
STRATUS MONO	47
STRATUS VETRO	48

BUILT IN SERIES 50

PRIME	52
PRIME SLIM	55
PRIME EDGE	56
PRIME PRO	59
BLOQUE	60
BLOQUE SLIM	63
BLOQUE PRO	64

ISLAND SERIES 66

VECTOR	68
VECTOR EDGE	71
MARTELLI	72

WALL SERIES 74

VAULT	76
VAULT EDGE	79
SERNA	80
AMERICAN PRO	83
TRADITIONAL	84
MASTERCHEF	87
EVERHOT BY WESTIN	88

SURFACE SERIES 90

HARMONY	93
HARMONY PLUS	94
LISSER FLUSH	96
LISSER STONE	99
LISSER PLANE	101



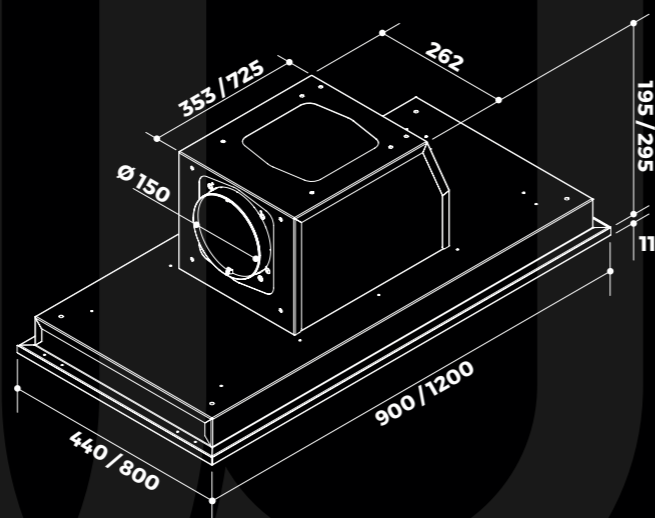
CEILING SERIES



STRATUS

The Stratus offers discreet but effective extraction. This range has been designed with British ceilings in mind and is very popular. If the joists run in the same direction as the Stratus, this product is ideal.

Width:	900mm or 1200mm
Depth:	440mm or 800mm
Height:	195mm (remote motor) or 295mm (internal motor)
Finish:	Stainless steel
Controls:	4-speed remote
Lighting:	4 x 2.6W cool (5000K) LED – natural (4000K) and warm (3000K) LED lighting is also available
Filters:	Concealed, suitable for dishwashers
Duct position:	Left, right, front, rear or top
Motor options:	Internal, remote or recirculating

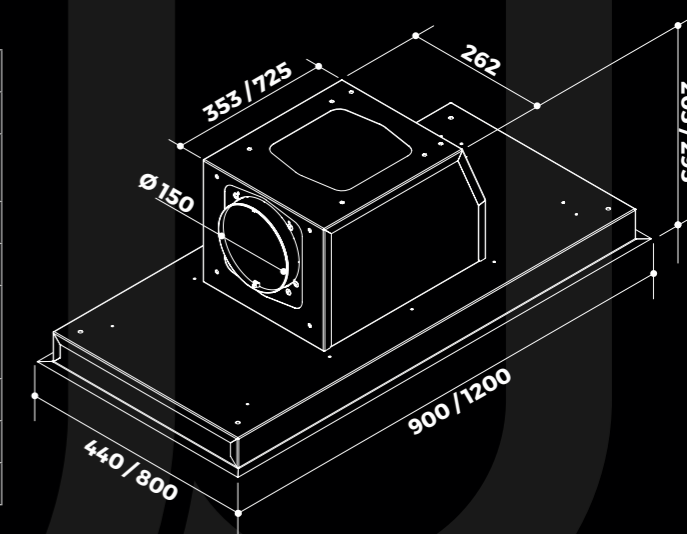




STRATUS FLUSH

The Stratus Flush offers extremely discreet but effective extraction. This model is designed to fit flush to the ceiling, and in common with other models in the Stratus range, has been designed with British ceilings in mind. If the joists run in the same direction as the Stratus, this product is ideal.

Width:	900mm or 1200mm
Depth:	440mm or 800mm
Height:	205mm (remote motor) or 295mm (internal motor)
Finish:	Stainless steel
Controls:	4-speed remote
Lighting:	4 x 2.6W cool (5000K) LED – natural (4000K) and warm (3000K) LED lighting is also available
Filters:	Concealed, suitable for dishwashers
Duct position:	Left, right, front, rear or top
Motor options:	Internal, remote or recirculating

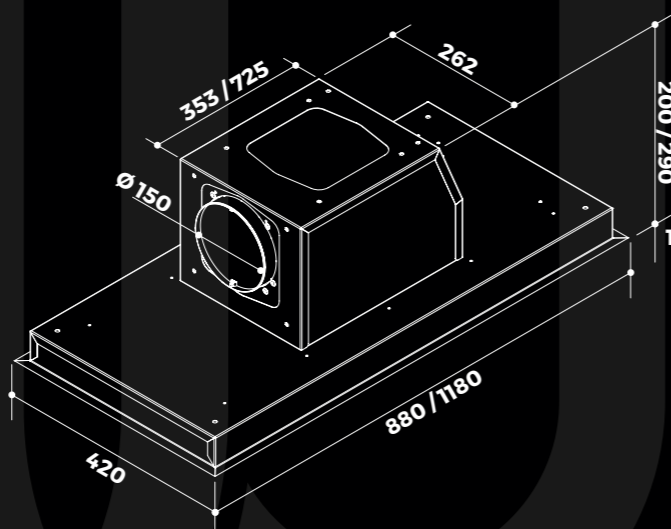




STRATUS AIR

The Stratus Air is a minimalist unit which sits flush to the ceiling. Painted white and without lights, this model is designed to provide effective extraction whilst remaining as unobtrusive as possible.

Width:	880mm or 1180mm
Depth:	420mm
Height:	200mm (remote motor) or 290mm (internal motor)
Finish:	Painted white
Controls:	4-speed remote
Lighting:	None
Filters:	Concealed, suitable for dishwashers
Duct position:	Left, right, front, rear or top
Motor options:	Internal, remote or recirculating





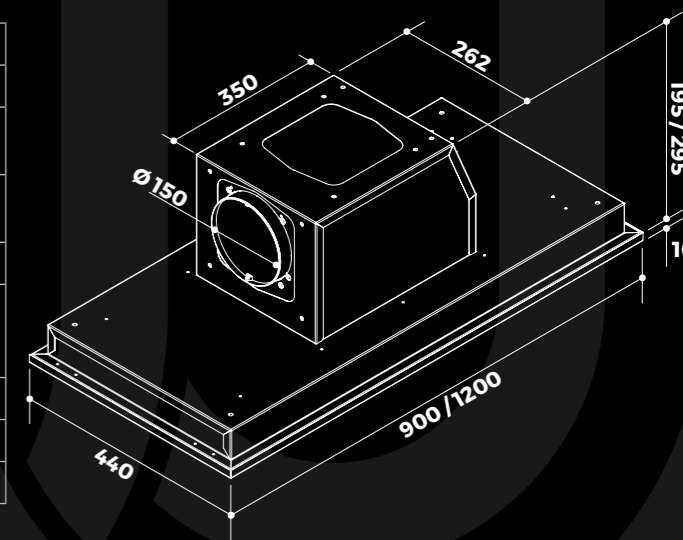
Kitchen by Finch London



STRATUS EDGE

The Stratus Edge joins our family of Stratus ceiling hoods offering discrete and efficient extraction. The new Westin Edge baseplate increases the performance of the hood by improving the catchment area and smoothing the air flow. Available in stainless steel or painted white, with or without LED strip lights. Winner of the editors choice award at the 2021 Designer awards and highly commended at the 2021 Ideal home awards

Width:	900mm or 1200mm
Depth:	440mm
Height:	195mm (remote motor) or 295mm (internal motor)
Finish:	Stainless steel or painted (RAL 9003 signal white)
Controls:	4-speed remote
Lighting:	none or 2 x 14.4W variable warmth (2700-6250K) dimmable LED light blades
Filters:	Concealed, suitable for dishwashers
Duct position:	Left, right, front, top or rear
Motor options:	Internal, remote or recirculating

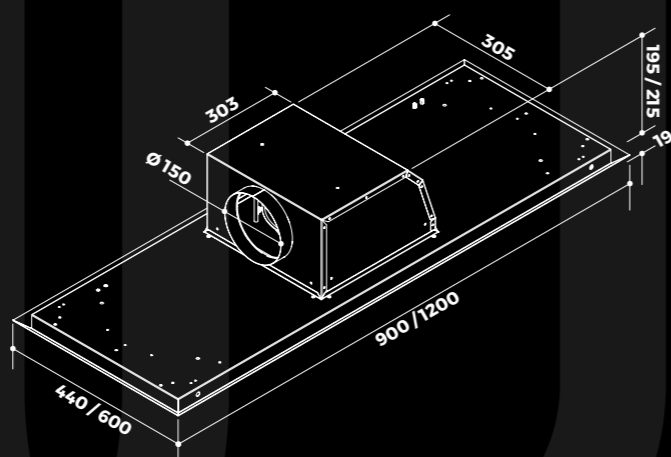




STRATUS COMPACT

The Stratus Compact can accommodate a remote motor with a height of only 195mm. This unit will easily fit between the joists, whether they run in the opposite direction to the product or the position is unknown. The compact top box is rotatable on site so the duct position does not need to be specified.

Width:	900mm or 1200mm
Depth:	440mm or 600mm
Height:	195mm (215mm recirculating)
Finish:	Stainless steel, mirrored stainless or painted white
Controls:	4-speed remote
Lighting:	2 x 14.4W variable warmth (2700K - 6250K dimmable LED light blades)
Filters:	Concealed, suitable for dishwashers
Duct position:	Left, right, front or rear
Motor options:	Internal, remote or recirculating





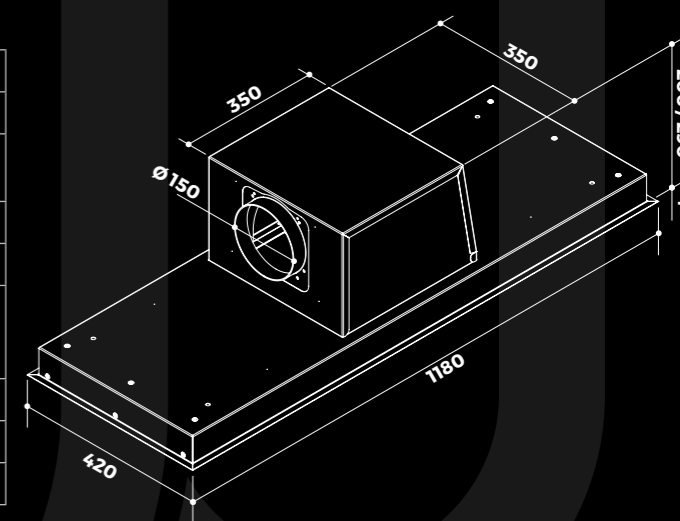
Kitchen by Lanserring



STRATUS BLADE

The Stratus Blade is the next step in ceiling hood design incorporating the popular light blades from the Stratus 360 into a ducted out hood.

Width:	1180mm
Depth:	420mm
Height:	200mm (remote motor) or 290mm (internal motor)
Finish:	Stainless steel
Controls:	4-speed remote
Lighting:	2 x 10.5W variable warmth (2700K - 6250K) dimmable LED light blades
Filters:	Concealed, suitable for dishwashers
Duct position:	Left, right, front or rear
Motor options:	Internal or remote

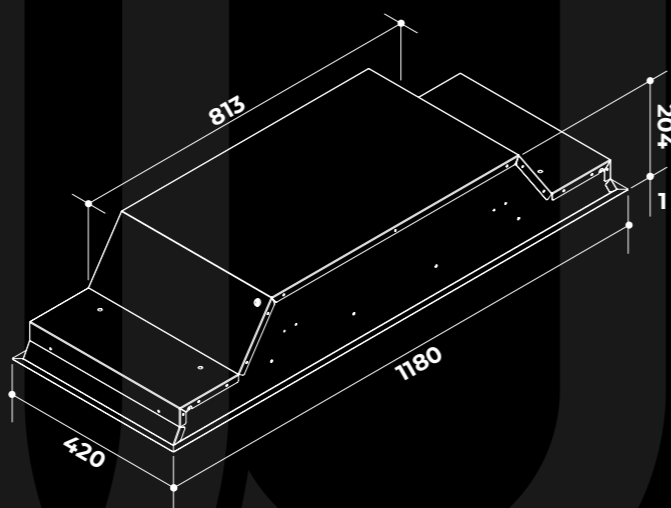




STRATUS 360

The Stratus 360 is the first extractor in the Westin collection to benefit from the revolutionary four-point recirculation filtration system. The Stratus 360 does not require ducting back into the room and is a low maintenance recirculating system with the addition of effective air purification.

Width:	1180mm
Depth:	420mm
Height:	203mm
Finish:	Stainless steel
Controls:	4-speed remote
Lighting:	2 x 10.5W variable warmth (2700-6250K) dimmable LED light blades
Filters:	Grease Filter, Activated Carbon Filter, HEPA Filter, UV.
Duct position:	Not applicable – recirculating only
Motor options:	Recirculating



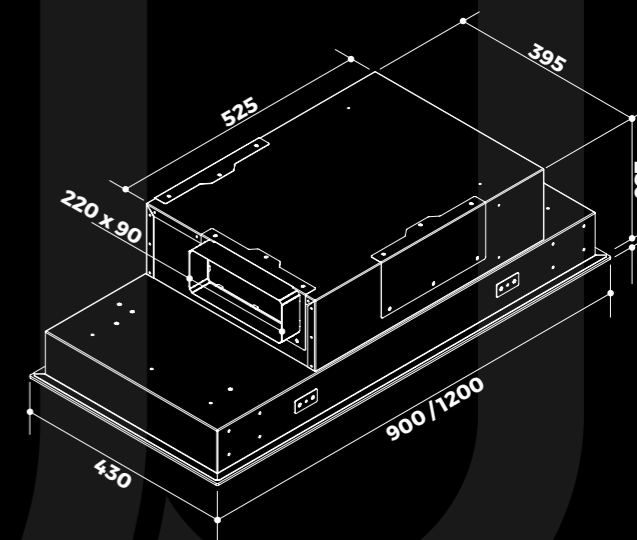


Kitchen by Abitalia. Image by Nick Smith

STRATUS MONO

The Stratus Mono is a sleek, glass ceiling hood available in black or white. The precision movement of the descending extraction panel increases the catchment area and enables direct air flow into the hood. This improves performance and effectiveness by 7% when compared to conventional ceiling hoods. Highly commended at the 2020 Designer awards

Width:	900mm or 1200mm
Depth:	430mm
Height:	236mm
Finish:	Black or white glass
Controls:	4-speed remote
Lighting:	4 x 3.4W natural white(4000K) dimmable LED
Filters:	Concealed, suitable for dishwashers
Duct position:	Left, right, front or rear
Motor options:	Internal

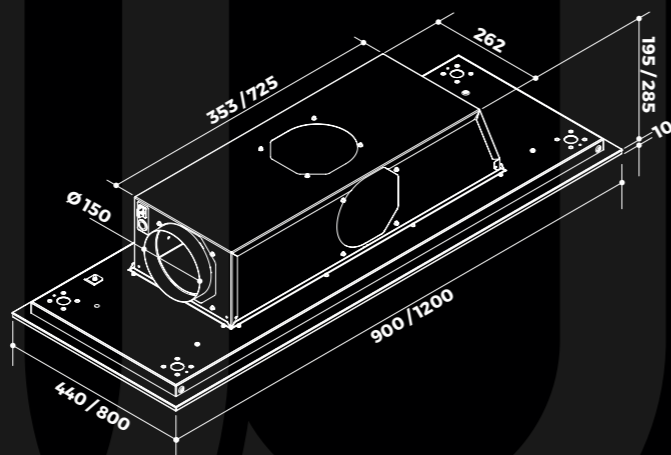




STRATUS VETRO

The Stratus Vetro is a popular product for customers who wish to make more of a feature of the ceiling unit. It is available in white glass and painted or black glass and painted.

Width:	900mm or 1200mm
Depth:	440mm or 800mm
Height:	195mm (remote motor) or 285mm (internal motor)
Finish:	Black glass & paint or White glass & paint
Controls:	4-speed remote
Lighting:	4 x 2.6W cool (5000K) LED - natural (4000K) and warm (3000K) LED lighting is also available
Filters:	Concealed, suitable for dishwashers
Duct position:	Left, right, front, rear or top
Motor options:	Internal, remote or recirculating





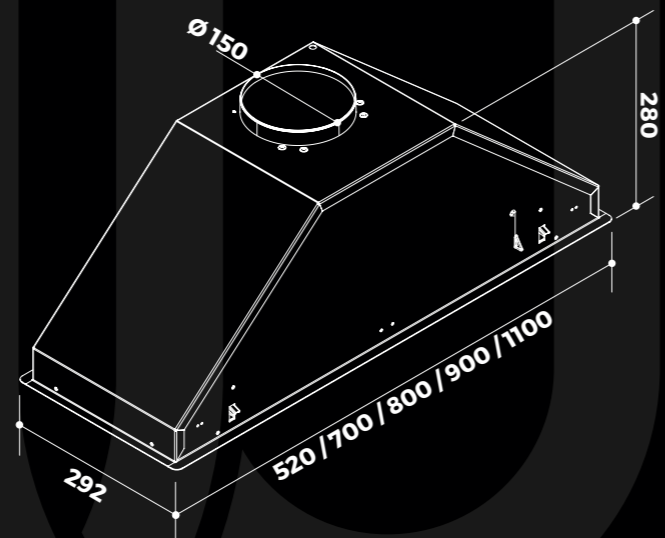
BUILT IN SERIES



PRIME

This is a versatile and popular discreet product designed to fit into a chimney or kitchen furniture and is available in a wide range of sizes. Winner of the Innovation in Kitchen Product Design Award at the 2022 Designer Awards.

Width:	520mm, 700mm, 800mm, 900mm or 1100mm
Depth:	292mm
Height:	280mm
Finish:	Stainless steel
Controls:	4-speed push button, optional remote control
Lighting:	2 x 2.6W variable warmth (3000–6000K) dimmable LED (3x on 1100 model)
Filters:	Aluminium mesh, suitable for dishwashers
Duct position:	Top (Rear, left, right must be specified)
Motor options:	Internal, remote or recirculating

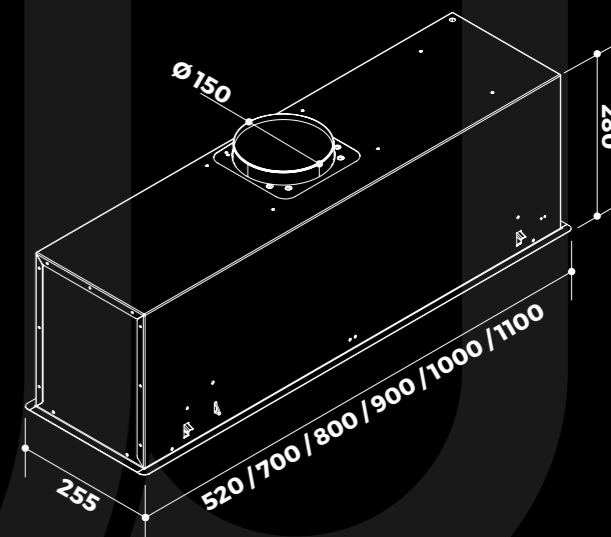




PRIME SLIM

The Prime Slim is a narrow version of our popular Prime extractor which is designed to fit into kitchen furniture or a chimney. Winner of the Innovation in Kitchen Product Design Award at the 2022 Designer Awards.

Width:	520mm, 700mm, 800mm, 900mm, 1000mm or 1100mm
Depth:	255mm
Height:	280mm
Finish:	Stainless steel
Controls:	4-speed push button, optional remote control
Lighting:	2 x 2.6W variable warmth (3000–6000K) dimmable LED (3x on 1100 model)
Filters:	Aluminium mesh, suitable for dishwashers
Duct position:	Top
Motor options:	Internal, remote or recirculating

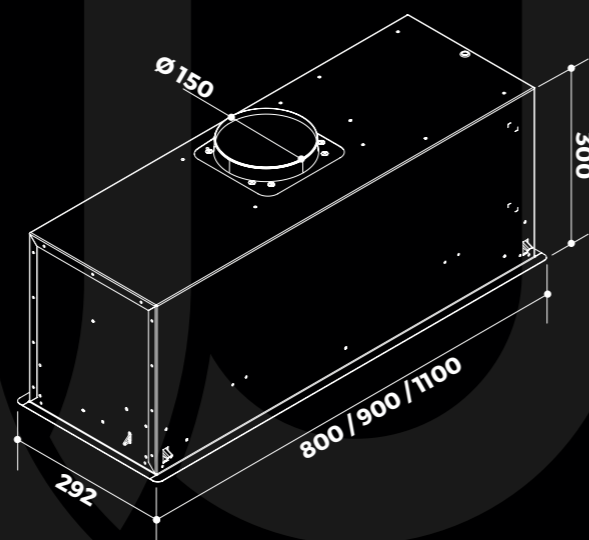




PRIME EDGE

The Prime Edge encompasses the Westin Edge baseplate, which improves the catchment area of the hood and enables the air to flow more smoothly through the filters—both of which improve performance. The hood features our redesigned push button controls. Winner of the Editors Choice award at the 2021 Designer awards and highly commended at the 2021 Ideal Home awards

Width:	800mm, 900mm or 1100mm
Depth:	292mm
Height:	300mm
Finish:	Stainless steel
Controls:	4-speed remote, 4-speed push button
Lighting:	2 x 14.4W variable warmth (2700–6250K) dimmable LED light blades
Filters:	Concealed, suitable for dishwashers
Duct position:	Top (Rear as a Westin Bespoke option)
Motor options:	Internal, remote or recirculating

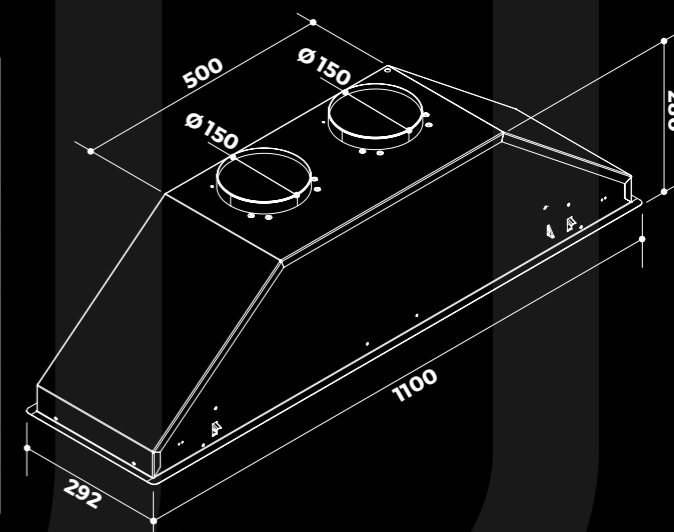




PRIME PRO

The Prime Pro is a dual motor version of our popular Prime extractor which is designed to fit into kitchen furniture or a chimney that provides extra power for keen cooks. Winner of the Innovation in Kitchen Product Design Award at the 2022 Designer Awards.

Width:	1100mm
Depth:	292mm
Height:	280mm
Finish:	Stainless steel
Controls:	4-speed push button, optional 4 speed remote control
Lighting:	3 x 2.6w Variable warmth (3000-6000K) dimmable LED
Filters:	Aluminium mesh, suitable for dishwashers
Duct position:	Top (rear as Westin bespoke option)
Motor options:	2 x Internal

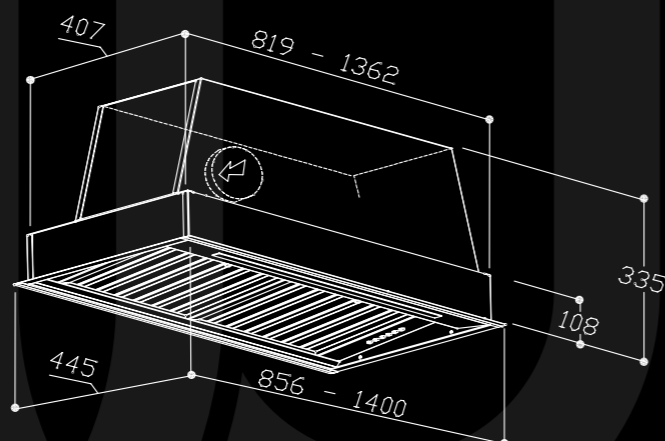




BLOQUE

The Bloque is a robust unit which offers a more industrial look with stainless steel baffle filters.

Width:	856mm or 1400mm
Depth:	445mm
Height:	335mm
Finish:	Stainless steel
Controls:	Push buttons, optional remote control
Lighting:	Tunable LED light bars 2700K - 6500K (1 x on 856mm, 2 x on 1400mm)
Filters:	Stainless steel baffle, suitable for dishwashers
Duct position:	Rear or top
Motor options:	Internal or recirculating

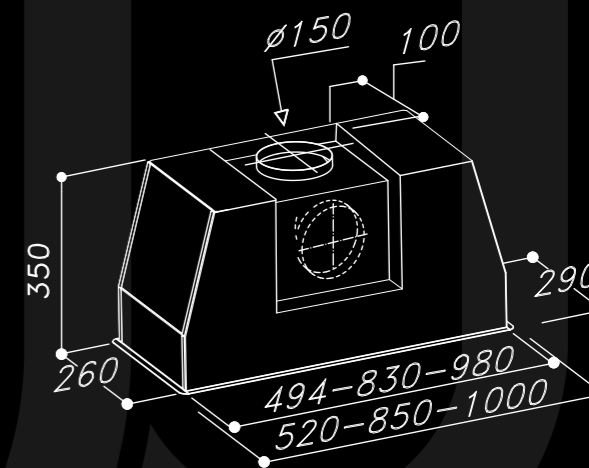




BLOQUE SLIM

The Bloque Slim includes all of the features of the Bloque, whilst retaining minimum depth, perfect for cabinetry. This robust unit offers a more industrial look with stainless steel baffle filters

Width:	520mm, 850mm, 1000mm
Depth:	290mm
Height:	350mm
Finish:	Stainless steel
Controls:	Chromed Push Buttons, Optional Remote Control
Lighting:	: 1 x 3.75W Variable Warmth (2700 – 6500K) Dimmable Led Light Bar (520mm model) 1 x 6W Variable Warmth (2700 – 6500K) Dimmable Led Light Bar (850mm model) 2 x 3.75W Variable Warmth (2700 – 6500K) Dimmable Led Light Bars (1000mm model)
Filters:	Stainless Steel Baffle Filters, Suitable for Dishwashers
Duct position:	Top or Rear
Motor options:	Internal or recirculating

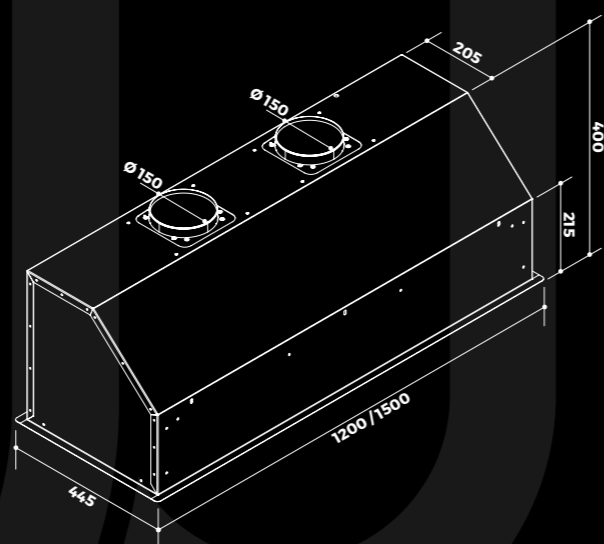




BLOQUE PRO

The Bloque Pro is a dual motor version of the popular Bloque extractor, which is designed to fit into kitchen furniture or a chimney, that provides extra power along with enhanced vaulted fume catchment area for keen cooks.

Width:	1200mm & 1500mm
Depth:	445mm
Height:	400mm
Finish:	Stainless steel
Controls:	4-speed remote, 4-speed push button
Lighting:	4 x 2.6W variable warmth (3000–6000K) dimmable LED (5 on 1500mm model)
Filters:	Baffle filters, suitable for dishwashers
Duct position:	Top or rear (must specify)
Motor options:	2 x Internal





ISLAND SERIES

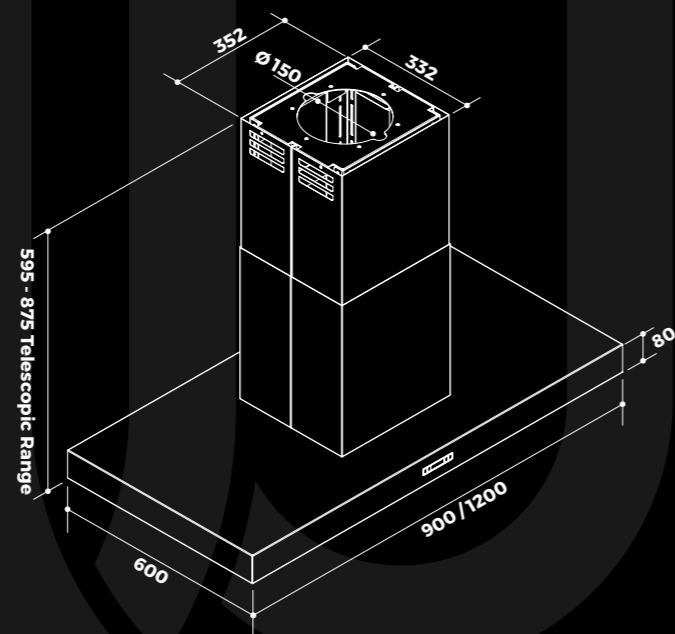


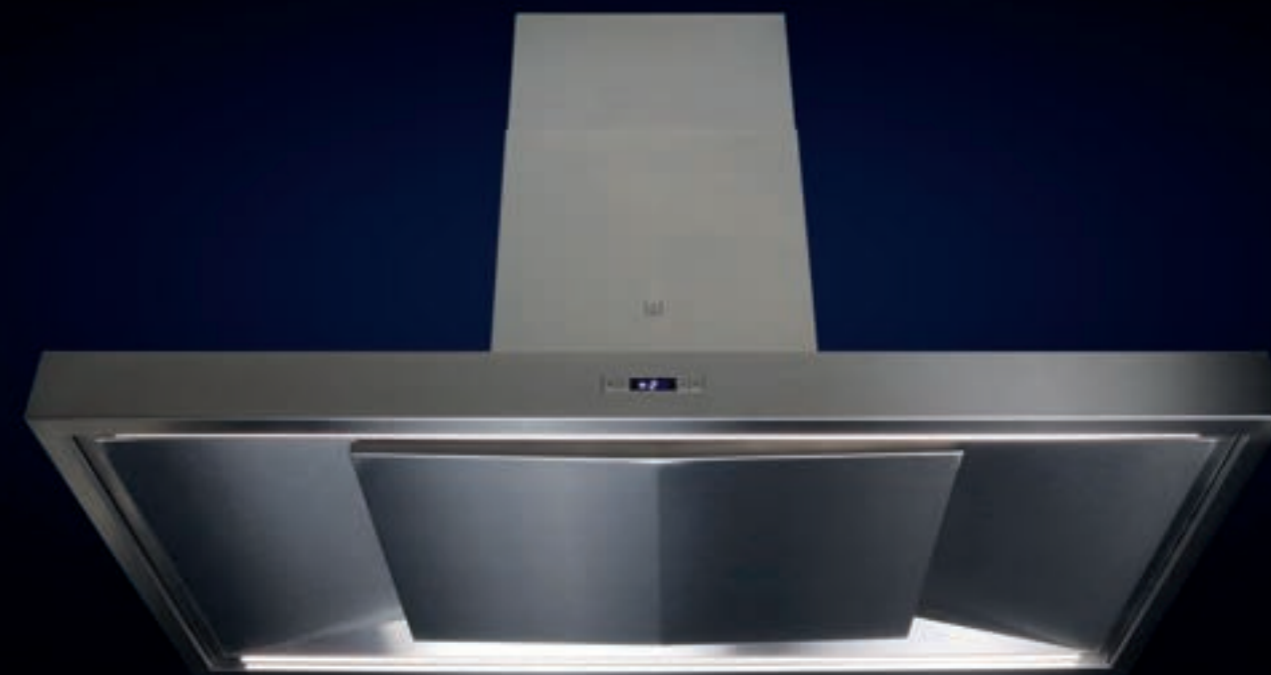


VECTOR

The Vector island hood is a classic design with contemporary styling. This hood features sleek tuneable LED strip lighting along with industrial style baffle filters and the all-important fume catchment area, angled to maximise fume capture

Width:	900mm, 1200mm
Depth:	600mm
Height:	595mm - 875mm telescopic
Finish:	Stainless steel
Controls:	LCD display with push buttons, optional remote control
Lighting:	2 x 14.4W variable warmth (2700-6250K) dimmable strip LED's
Filters:	Stainless steel baffle filters, suitable for dishwashers
Duct position:	Top
Motor options:	Internal, remote or recirculating

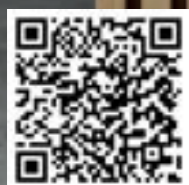
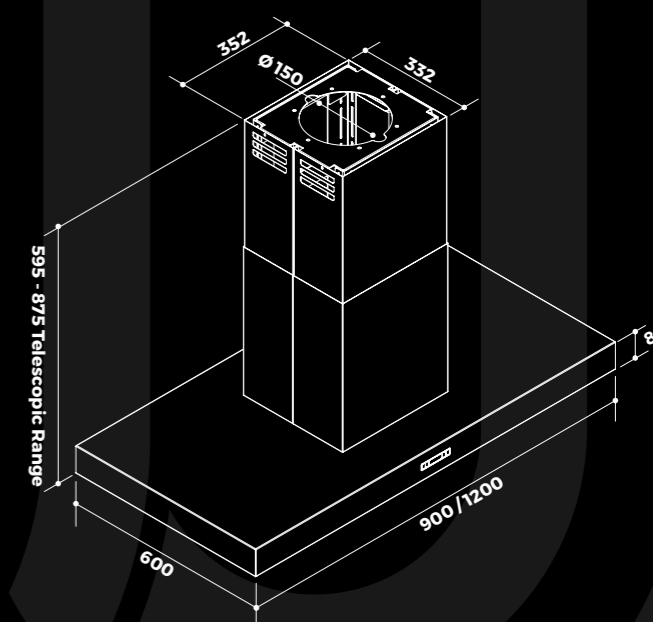




VECTOR EDGE

The Vector Edge is a contemporary style island hood with the Westin Edge baseplate. It features LCD touch controls and an extended filter area which improves performance. Winner of the Editors Choice award at the 2021 Designer awards and highly commended at the 2021 Ideal Home awards

Width:	900mm or 1200mm
Depth:	600mm
Height:	595mm – 875mm – Telescopic
Finish:	Stainless steel
Controls:	LCD display with push buttons, optional remote control
Lighting:	2 x 14.4W variable warmth (2700–6250K) dimmable LED light blades
Filters:	Concealed, suitable for dishwashers
Duct position:	Top
Motor options:	Internal, remote or recirculating

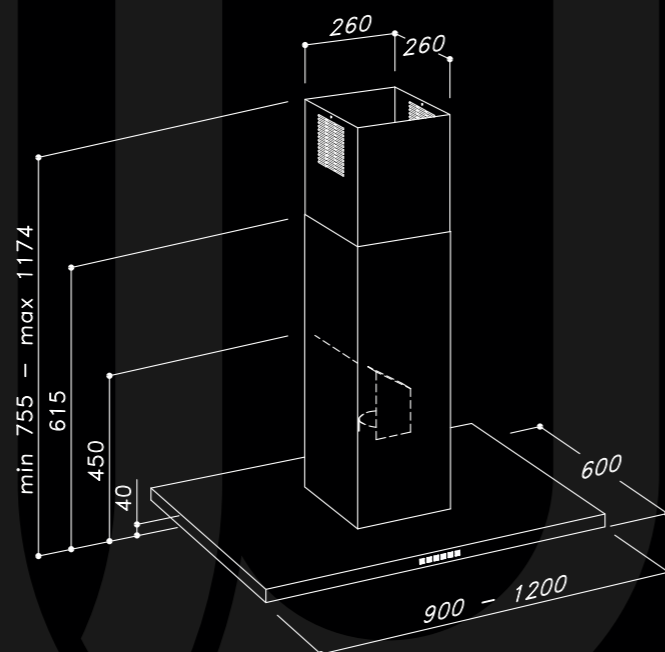




MARTELLI

The Martelli is an uncomplicated hood with clean lines and minimalist style. Available in two width options with either internal or remote motor.

Width:	900mm, 1200mm
Depth:	600mm
Height:	40mm + 775mm – 1174mm Telescopic Chimney
Finish:	Stainless Steel
Controls:	Chromed Push Buttons, Optional Remote Control
Lighting:	2 x 3.75W Variable Warmth (2700 – 6500K) Dimmable Led Light Bars
Filters:	Stainless Steel Baffle Filters, Suitable for Dishwashers.
Duct position:	Top
Motor options:	Internal, Recirculating Available





WALL SERIES

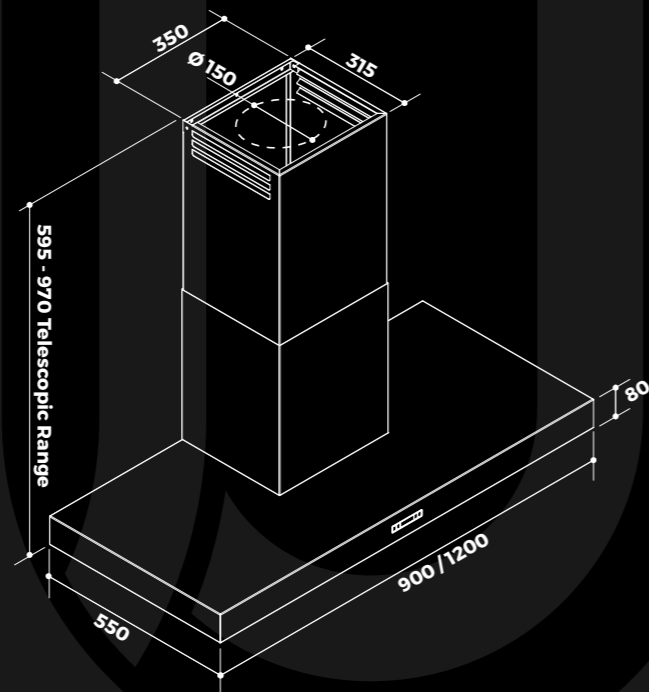


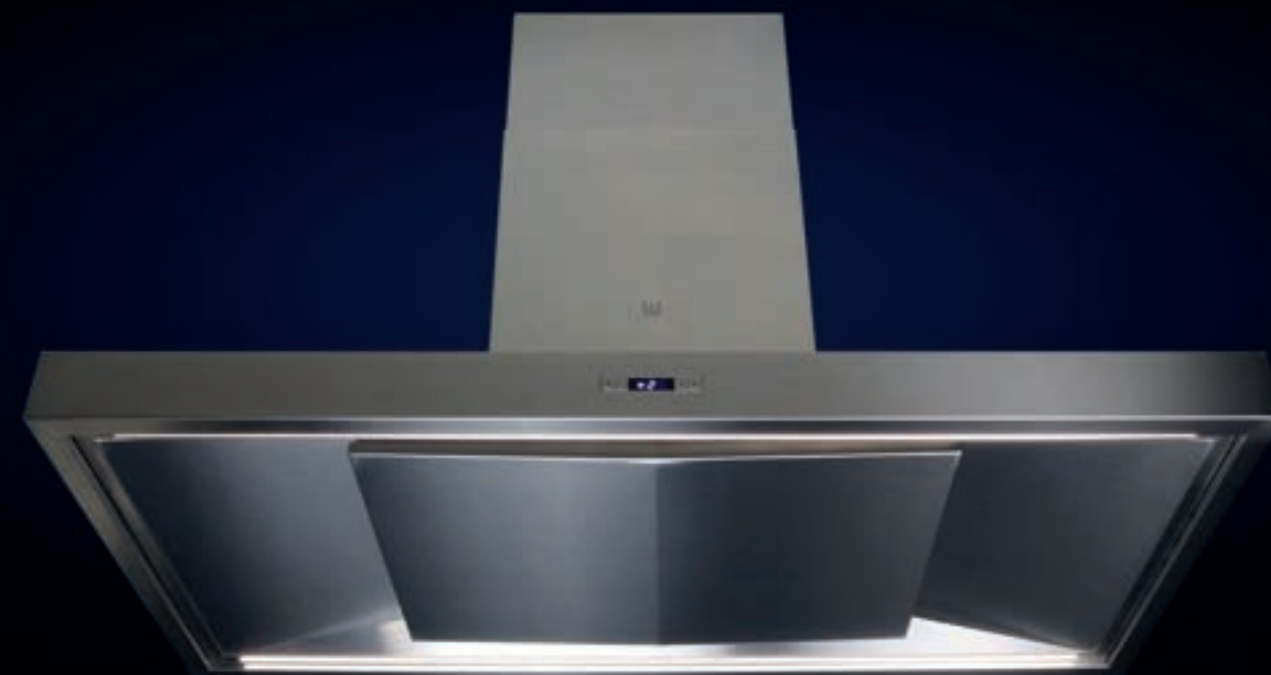


VAULT

The Vault wall mounted hood is a classic design with contemporary styling. This hood features sleek tuneable LED strip lighting along with industrial style baffle filters and the all-important fume catchment area, angled to maximise fume capture.

Width:	900mm, 1200mm
Depth:	550mm
Height:	595mm – 970mm – Telescopic
Finish:	Stainless steel
Controls:	LCD display with push buttons, optional remote control
Lighting:	2 x 14.4W variable warmth (2700–6250K) dimmable strip LED's
Filters:	Stainless steel baffle filters, suitable for dishwashers
Duct position:	Top or rear
Motor options:	Internal, remote or recirculating

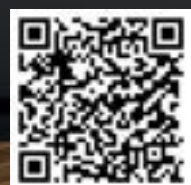
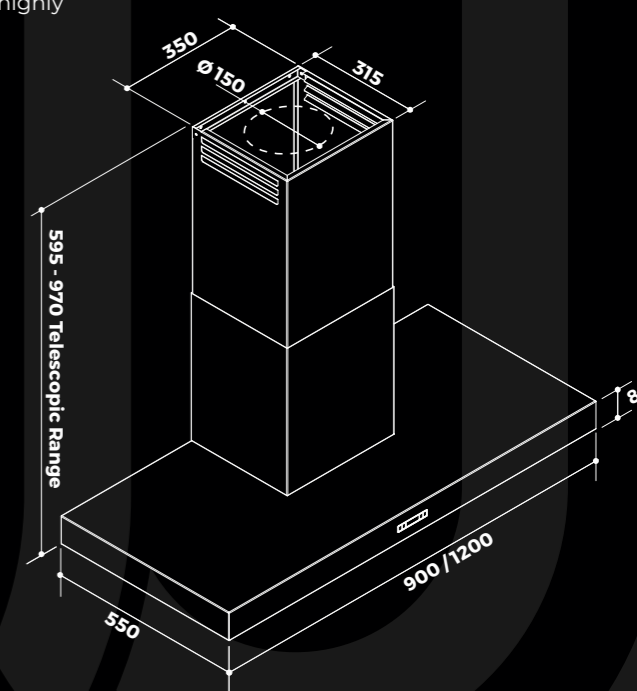




VAULT EDGE

The Vault Edge is a contemporary style wall mounted hood with the Westin Edge baseplate. It features LCD touch controls and an extended filter area which improves performance. Winner of the editors choice award at the 2021 Designer awards and highly commended at the 2021 Ideal home awards.

Width:	900 or 1200mm
Depth:	550mm
Height:	595mm – 970mm – Telescopic
Finish:	Stainless steel
Controls:	LCD display with push buttons, optional remote control
Lighting:	2 x 14.4W variable warmth (2700–6250K) dimmable LED light blades
Filters:	Concealed, suitable for dishwashers
Duct position:	Top or rear
Motor options:	Internal, remote or recirculating

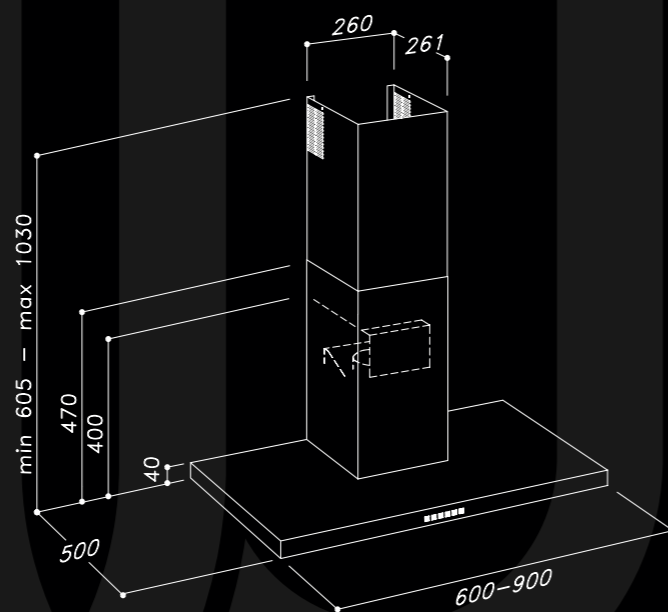


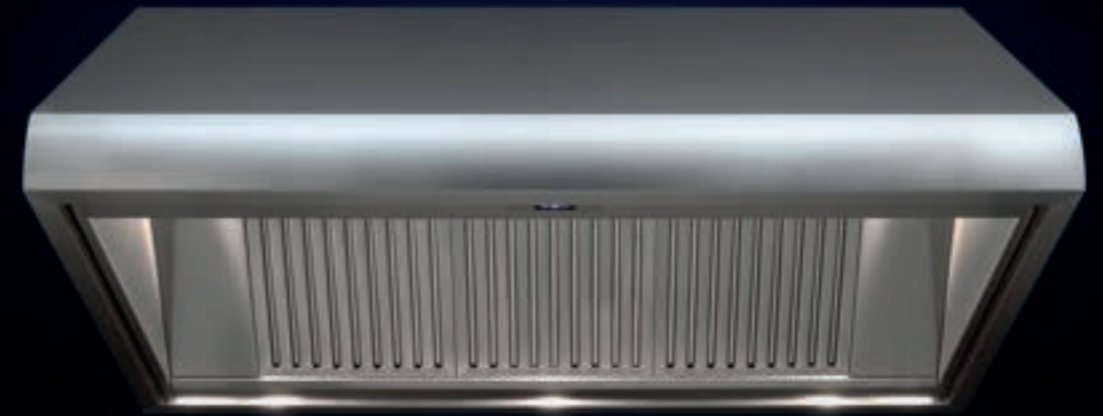


SERNA

The Serna is an elegant and sophisticated hood which will never become dated, it is available in three widths.

Width:	600mm, 900mm, 1200mm
Depth:	500mm
Height:	40mm + 605mm – 1030mm Telescopic Chimney
Finish:	Stainless steel
Controls:	Chromed Push Buttons, Optional Remote Control
Lighting:	2 x 3.75W Variable Warmth (2700 – 6500K) Dimmable Led Light Bars
Filters:	Stainless Steel Baffle Filters, Suitable for Dishwashers
Duct position:	Top
Motor options:	Internal, Recirculating Available

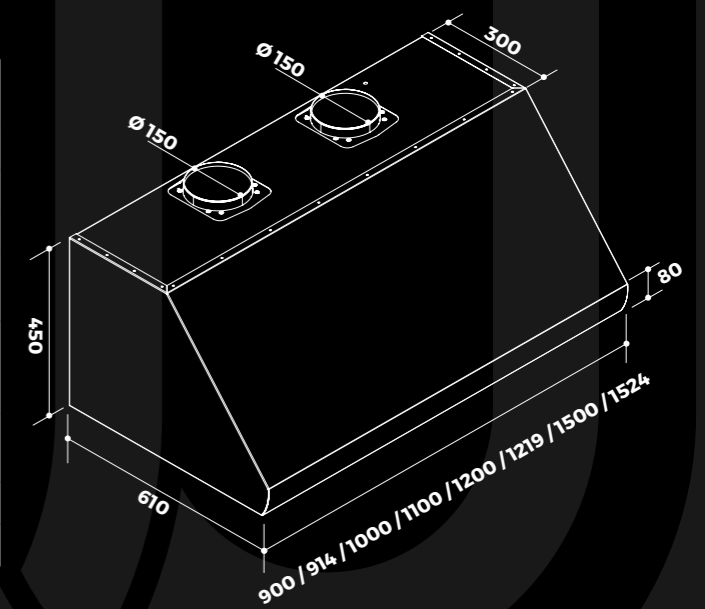




AMERICAN PRO

The American Pro has powerful dual internal motors, ideally suited for range cookers and professional hobs. Featuring industrial styling to match the power, and including a large catchment area and increased filter area. Available in a range of sizes, it is designed to perfectly match the width of most range cookers.

Width:	900, 914, 1000, 1100, 1200, 1219, 1500 or 1524mm
Depth:	610mm
Height:	450mm
Finish:	Stainless steel
Controls:	LCD display with push buttons, remote control
Lighting:	3 x 2.6W variable warmth (3000–6000K) dimmable LED (4 x on 1200+ models, 5 x on 1500mm + models)
Filters:	Stainless steel baffle, suitable for dishwashers
Duct position:	Top or rear (2 x 150mm ducts)
Motor options:	Internal only

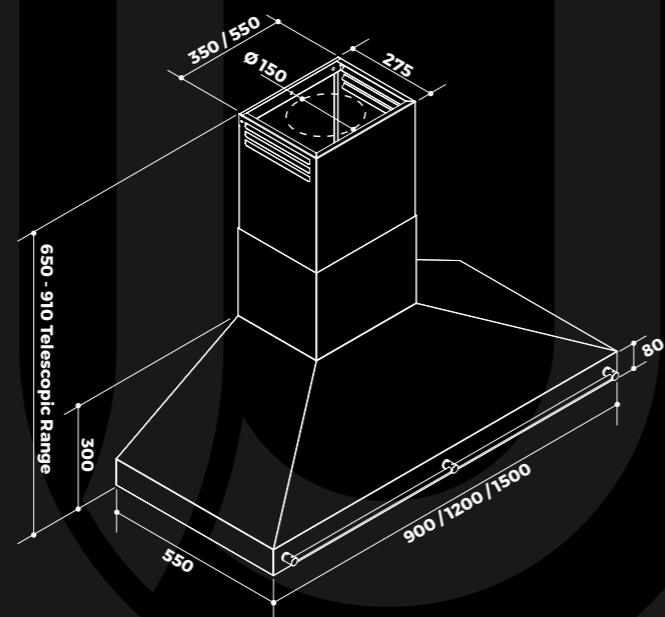




TRADITIONAL

The Traditional is a universal hood designed to be paired with range cookers and is available in any colour match to suit the range, or just to make a bold statement in the kitchen! Featuring machine polished front hanging rail, the Traditional is a timeless, classic hood design.

Width:	900mm, 1200mm, 1500mm
Depth:	550mm
Height:	650mm – 910mm Telescopic
Finish:	Any paint colour match, Any RAL Colour, Stainless steel. Polished steel detailing
Controls:	Tactile Push Buttons, Optional Remote Control
Lighting:	2.6W variable warmth (3000–6000K) dimmable LED (2 x on 900mm model, 3 x on 1200mm model, 4 x on 1500mm model)
Filters:	Stainless steel baffle filters, suitable for dishwashers
Duct position:	Top
Motor options:	900mm & 1200mm versions Internal, remote or recirculating (2 x internal motors only on 1500mm version) Recirculating available on single motor models only.

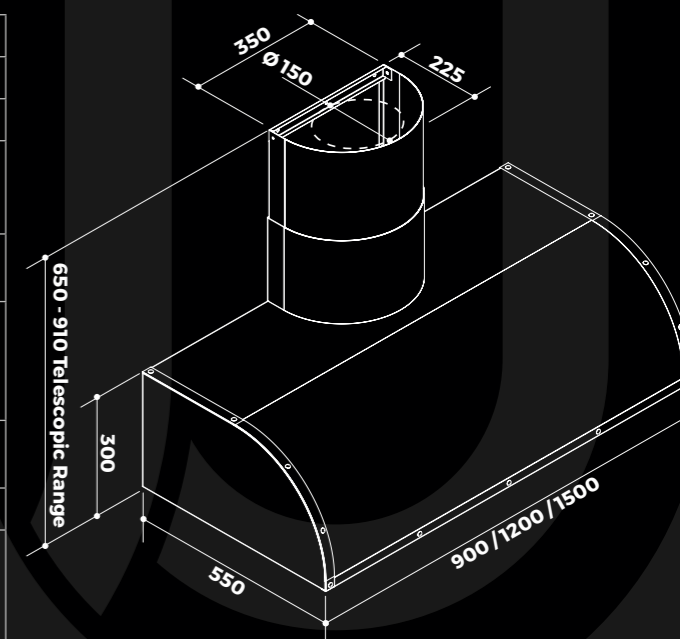




MASTERCHEF

The Masterchef is a universal hood designed to be paired with range cookers and is available in any colour match to suit the range, or just to make a bold statement in the kitchen! Featuring hand polished strap and rivet detail, the Masterchef is a classic hood design with a contemporary twist.

Width:	900mm, 1200mm, 1500mm
Depth:	550mm
Height:	650mm – 910mm Telescopic
Finish:	Any paint colour match, Any RAL Colour, Stainless steel. Polished steel detailing
Controls:	Tactile Push Buttons, Optional Remote Control
Lighting:	2,6W variable warmth (3000–6000K) dimmable LED (2 x on 900mm model, 3 x on 1200mm model, 4 x on 1500mm model)
Filters:	Stainless steel baffle, suitable for dishwashers
Duct position:	Top or rear
Motor options:	900mm & 1200mm versions Internal, remote or recirculating (2 x internal motors only on 1500mm version with 2 x separate chimneys) Recirculating available on single motor models only.



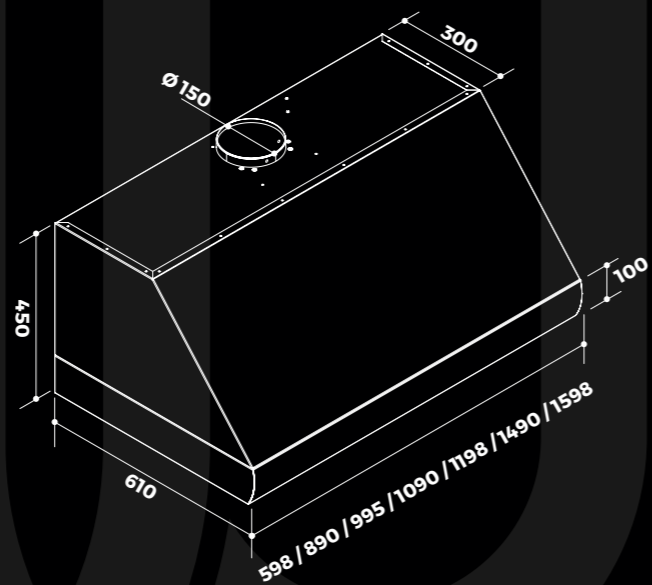


EVERHOT BY WESTIN

A precision-engineered extractor made from high grade stainless steel, featuring professional dishwasher safe filters and a large, vaulted fume catchment area. Its classic good looks are combined with modern efficiency, to result in a stunning, powerful cooker hood that will stay with you and your kitchen for years to come.

Black	Cream	Graphite	Marine Blue
Aubergine	Victoria Blue	Goose Grey	Burgundy
Dusky Pink	Dove Grey	Mustard	Forest Green
Sage	Teal	Dusky Blue	White
Tangerine	Pillarbox Red	Fandango Pink	

Width:	598mm, 890mm, 995mm, 1090mm, 1190mm, 1490mm or 1598mm
Depth:	610mm
Height:	450mm
Finish:	Black, Graphite, Aubergine, Burgundy, Marine Blue, Blue, Victoria Blue, Dusky Pink, Green, Teal, Sage, Dove Grey, Tangerine, Mustard, Cream, White, Pillarbox Red, Dusky Blue or Fandango Pink
Controls:	LCD display with push buttons, optional remote control
Lighting:	3 x 2.6W variable warmth (3000–6000K) dimmable LED (4 x on 1200+ models)
Filters:	Stainless steel baffle, suitable for dishwashers
Duct position:	Top or rear
Motor options:	Internal or Recirculating, Single motor on 600mm – 1100mm, dual motors option on 1100mm + models Recirculating available on single motor models only.
Accessories:	Optional colour matched telescopic chimney available





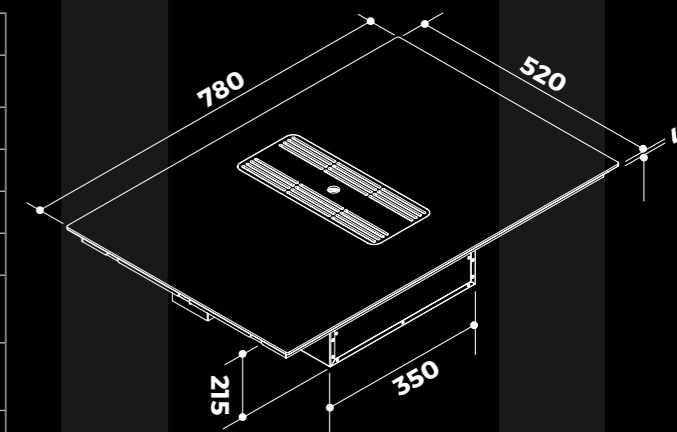
SURFACE SERIES



HARMONY

The Westin Harmony is a fully featured G5 induction hob partnered with efficient integrated extraction. The Harmony includes four flexible cooking zones, bridging function and nine power levels operated by intuitive sliding touch controls.

Width:	780mm
Depth:	520mm
Height:	215mm plus ducting
Finish:	Black glass
Controls:	Slide touch control
Lighting:	None
Filters:	Aluminium mesh, suitable for dishwashers
Duct position:	Rear (with downward adaptor included)
Motor options:	Internal motor (or recirculating)



- Induction G5 Hob
- Touch Controls for all functions
- 4 x Cooking Zones
- 4 x 3700W Max Cooking Zone Power (4 x 2100W = P: 4 x 3700W) Total Output: 7400W
- Bridging Function: Flexible cooking zones combine to create single large zones (Zone 1+2 and Zone 3+4)
- Automatic heat-up function
- 9 Power settings for all zones
- Booster function on all zones
- Over-heating protection
- Keep warm function
- Timer function
- Operating time limit function
- Safety lock
- Pause function and recall

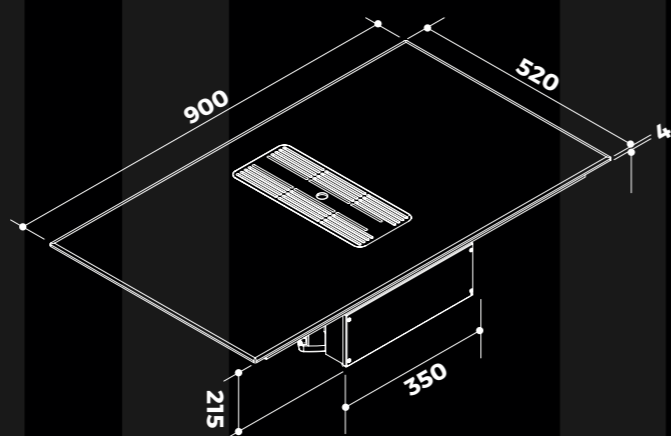




HARMONY PLUS

The Westin Harmony Plus is a fully featured G5 induction hob partnered with efficient integrated extraction. The Harmony Plus includes four flexible cooking zones, bridging function and nine power levels operated by intuitive sliding touch controls, and is a wider version of the Harmony, allowing larger pans to be used. The hob also features the stylish bevelled edge detail.

Width:	900mm
Depth:	520mm
Height:	215mm plus ducting
Finish:	Black glass
Controls:	Slide touch control
Lighting:	None
Filters:	Aluminium mesh, suitable for dishwashers
Duct position:	Rear (with downward adaptor included)
Motor options:	Internal motor (or recirculating)



- Induction G5 Hob
- Touch Controls for all functions
- 4 x Cooking Zones
- 4 x 3700W Max Cooking Zone Power (4 x 2100W = P: 4 x 3700W) Total Output: 7400W
- Bridging Function:
- Flexible cooking zones combine to create single large zones (Zone 1+2 and Zone 3+4)
- Automatic heat-up function
- 9 Power settings for all zones
- Booster function on all zones
- Over-heating protection
- Keep warm function
- Timer function
- Operating time limit function
- Safety lock
- Pause function and recall

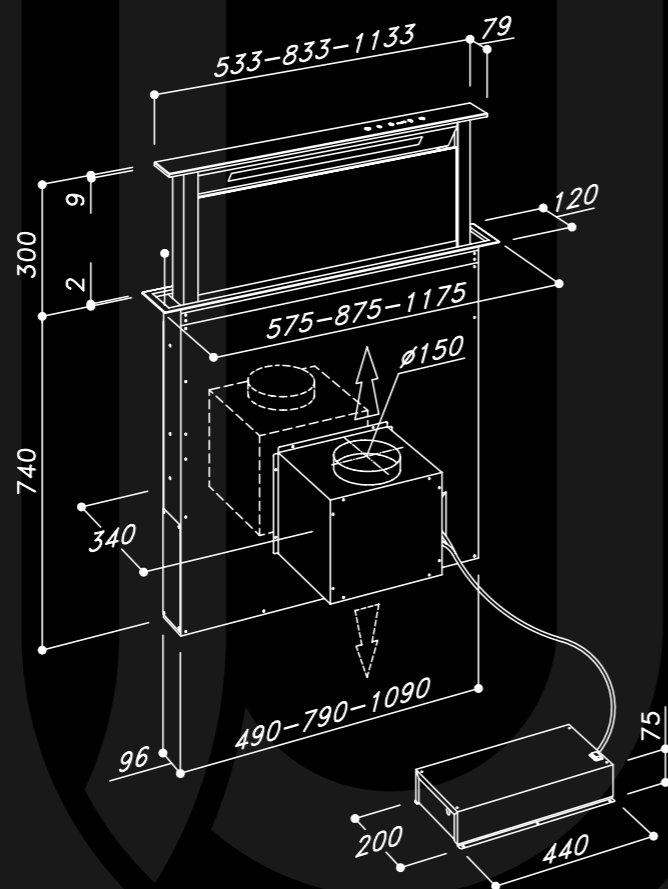




LISSER FLUSH

This Lisser Flush is extremely discreet in design and retracts fully into the worktop for a flush finish.

Width:	575mm, 875mm or 1175mm
Depth:	120mm
Height:	742mm + 300mm max extension
Finish:	Stainless steel or black glass
Controls:	4-speed touch control
Lighting:	1 x 6.5W LED (575 model) 1 x 5W LED (875 model) 1 x 9W LED (1175 model)
Filters:	Aluminium mesh, suitable for dishwashers
Duct position:	Left, right, front, rear or down
Motor options:	Internal, remote or recirculating

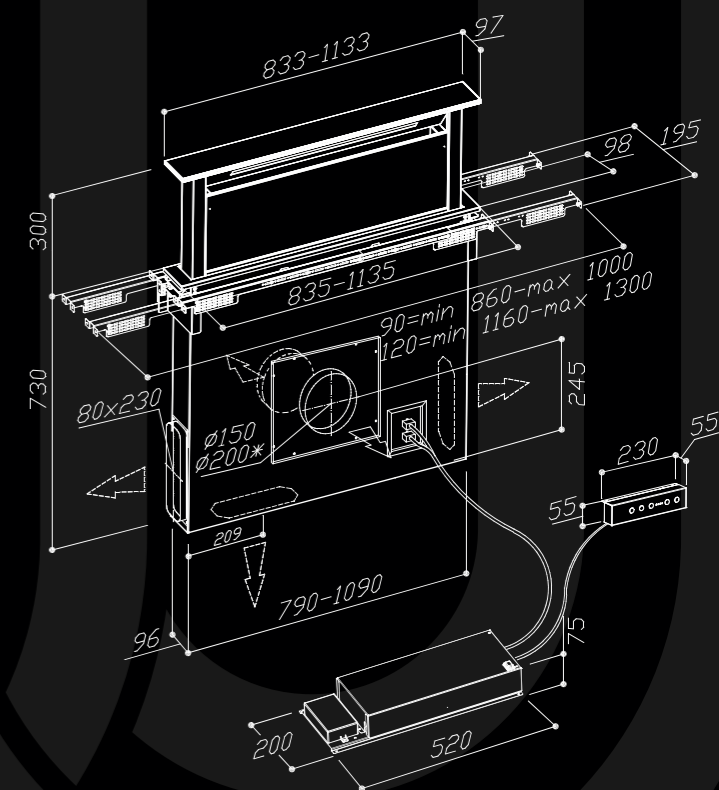




LISSER STONE

The ability to customise the upper panel in material to match the worktop means the Lisser Stone is the ultimate in discreet extraction.

Width:	835MM, 1135mm
Depth:	98mm (Worktop), 195mm (Below Worktop)
Height:	300mm From Worktop When Fully Open
Finish:	Stainless Steel
Controls:	Separate Touch Control
Lighting:	1 x 5W Led strip (835mm version), 1 x 9W Led strip (1135mm version)
Filters:	Aluminium Mesh, Suitable for Dishwashers
Duct position:	Left, Right, Front, Rear or Down
Motor options:	Internal, Remote or Recirculating

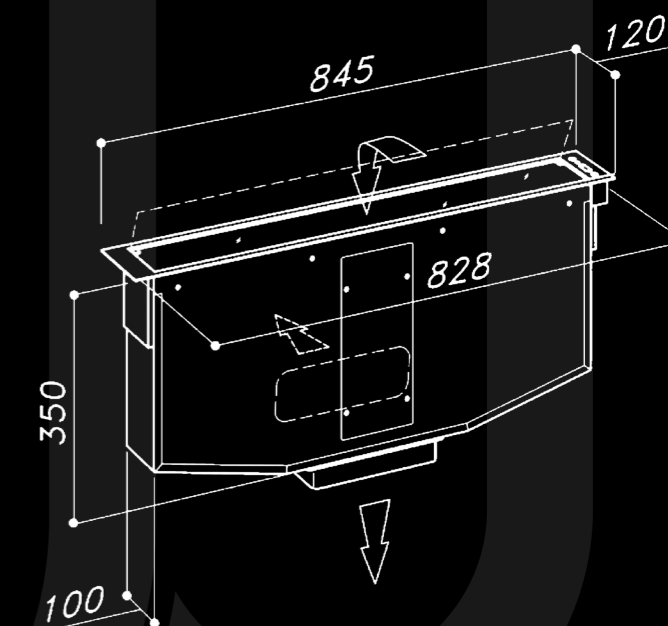




LISSER PLANE

The Lisser Plane fits flush into the worktop and rises only 70mm from the worktop when in use offering unobtrusive worktop extraction.

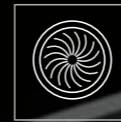
Width:	845mm
Depth:	120mm
Height:	350mm
Finish:	Black glass
Controls:	4-speed touch control
Lighting:	None
Filters:	Aluminium mesh, suitable for dishwashers
Duct position:	Down or rear
Motor options:	Remote or recirculating







REMOTE MOTORS



WHY USE A REMOTE MOTOR?

- **Are you keen to reduce the noise from your cooker hood?**
- **Looking to save space in your kitchen?**
- **Not enough space in the ceiling void for an internal motor?**

You may require bespoke performance

A remote motor can be placed in any number of positions away from the extractor and different units are available.

The remote motors shown in this section are designed to work with the ducted out hoods in The Collection.

Westin also have access to wide range of specialist motors, should you require a solution to a more complex situation or specialist application. Please contact the customer service team with details of the project and they will be happy to suggest a motor that will suit.

It is also possible to use a combination of motors to achieve higher performance, regardless of the length or complicated nature of the duct run.

The Westin Bespoke consultation service provides extraction solutions using both internal and inline motors, and those with more than one remote motor.

For example:

- **Long duct runs—over seven metres straight**
- **Duct runs with more than three bends**
- **Powerful range cookers**
- **Indoor barbecues**
- **Teppanyaki**
- **Griddles and grills**

INLINE MOTOR

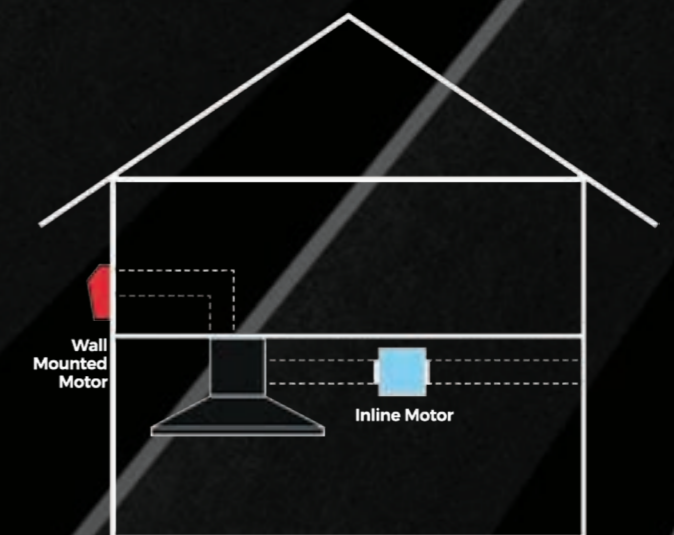
Located part way along the ducting, these motors need to be accessible for servicing so are often concealed in cupboards or sited in utility rooms.

WALL MOUNTED MOTOR

These motors are designed to be placed on the external walls of the property and are weather proof.

INLINE PLINTH MOTOR

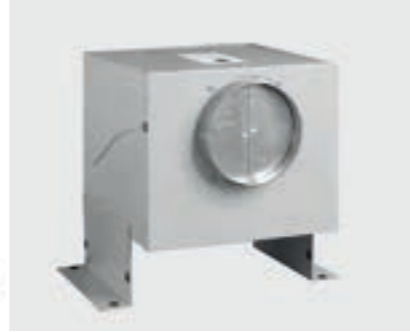
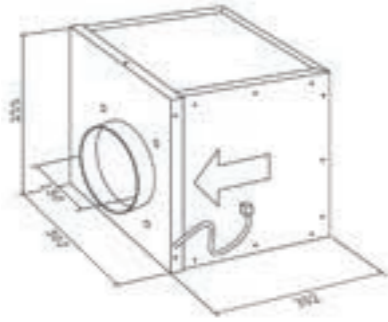
Specifically designed for use with downdraft extractors.





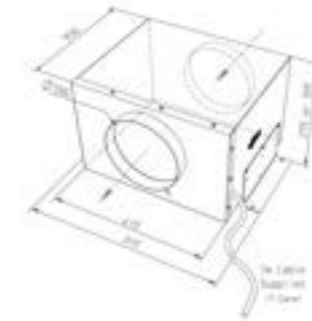
SEM1 – INLINE MOTOR

Duct size:	150mm
Free air performance:	800m ³ /hr
Width:	302mm
Depth:	302mm
Height:	255mm



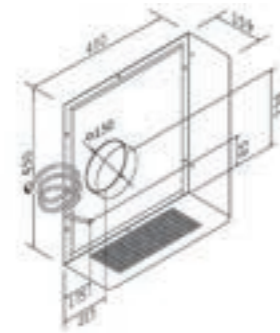
SEM8 – INLINE MOTOR

Duct size:	200mm (or 150mm via duct reducer)
Free air performance:	1100m ³ /hr (150mm duct) 1300m ³ /hr (200mm duct)
Width:	350mm
Depth:	400mm
Height:	400mm



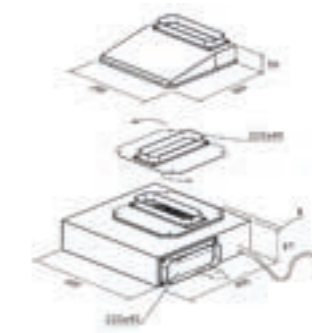
SEM2 – WALL MOUNTED MOTOR

Duct size:	150mm
Free air performance:	900m ³ /hr
Width:	450mm
Depth:	159mm
Height:	450mm



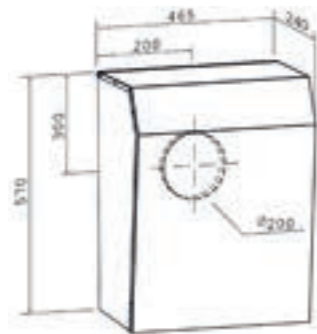
SEM10 – INLINE PLINTH MOTOR

Duct size:	220 x 90mm flat channel
Free air performance:	500m ³ /hr
Width:	400mm
Depth:	400mm
Height:	97 + 50mm



SEM7 – WALL MOUNTED MOTOR

Duct size:	200mm (or 150mm via duct reducer)
Free air performance:	1500m ³ /hr (150mm duct) 1700m ³ /hr (200mm duct)
Width:	465mm
Depth:	240mm
Height:	570mm





CONTROLS



TACTILE PUSH BUTTONS

We've redesigned our push button controls to make them more tactile to touch, enabling them to be operated by feel alone.

The mechanical operation of the buttons gives positive feedback and so they are particularly suited to our built-in over hob hoods where the hood baseplate remains largely out of sight. Similarly, they are an ideal choice for bespoke hoods sited in chimneys and mantelpieces.

- Fully tactile buttons with positive feedback
- On/off and timer functions
- Dedicated buttons for motor speed
- Dedicated button for lights on/off
- Available in a vertical or horizontal orientation



LCD DISPLAY PUSH BUTTONS

Our LCD display push buttons replicate all the functionality of the remote control and are an ideal choice for hoods where the controls are on display and easily accessible.

- LCD display with wipe-clean surface
- On/off and timer functions
- Easy movement through motor speeds
- Control light brightness
- Control light warmth
- Available in a vertical or horizontal orientation



TOUCH REMOTE CONTROL

Fully redesigned, our remote control has a smooth glass finish and is fully touch sensitive, for ease of use and understated elegance. It is the perfect complement to your new hood. Touch remote control currently not available with Stratus, Stratus Flush, Stratus Air, Stratus Vetro, Stratus Blade and Stratus 360 ceiling hoods.

- Fully touch sensitive touch remote control with a smooth wipe-clean glass finish
- On/off and timer functions
- Easy movement through motor speeds





B E S P O K E

STYLE OF HOOD

Either use the selection of popular shapes below as a starting point for your bespoke hood, or feel free to create a shape and style that is truly unique



TAILORED DESIGN

At Westin we're aware that no two kitchens are the same and so we offer the Westin Bespoke design and finish service, so that you can complete your perfect kitchen with your perfect hood.

Whether you require a custom design of hood, a specialised finish, more powerful performance or just something a little bit different—then Westin Bespoke offers you the opportunity to design a cooker hood to your exact requirements.

You can tweak one of our hoods, perhaps by changing the finish or the lights, or go completely bespoke with a uniquely designed solution. Some variation in your choices may be necessary, depending on the dimensions of the hood, but we can advise on the best way of achieving your goals.



CHATEAU
A curved hood with metal band detail.



CLASSIC
A professional range cooker option designed with straight front edge detail.



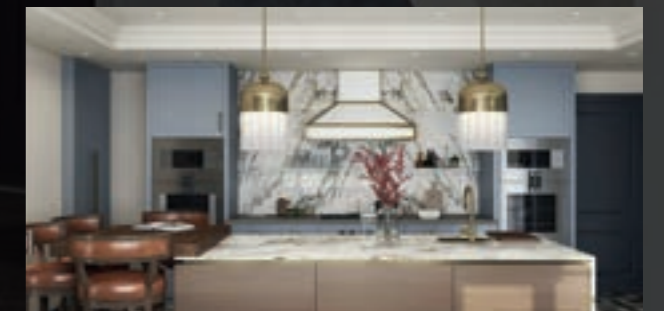
CONTEMPORARY
A sleek modern style which can be painted to match the Kitchen cabinet.



DECORATIVE
A clad hood, usually in mirror or glass, designed for optimum performance.



PARISIENNE
A sleek professional range cooker option designed with no front edge detail.



TRADITIONAL
An angled hood with a chimney section for more traditional kitchens.



AMERICAN
A professional range cooker option designed with curved front edge detail.



ANTIQUE
A curved, bell shape body with metal band detail designed to perform over a powerful range cooker.

Kitchen by Naked Kitchens



BASEPLATE

The baseplate is the underside of the hood that houses the filters. Choose a traditional honeycomb or mesh design, or perhaps a more industrial-looking stainless steel baffle. You can also conceal the filters completely with a panel of any finish.



HONEYCOMB MESH



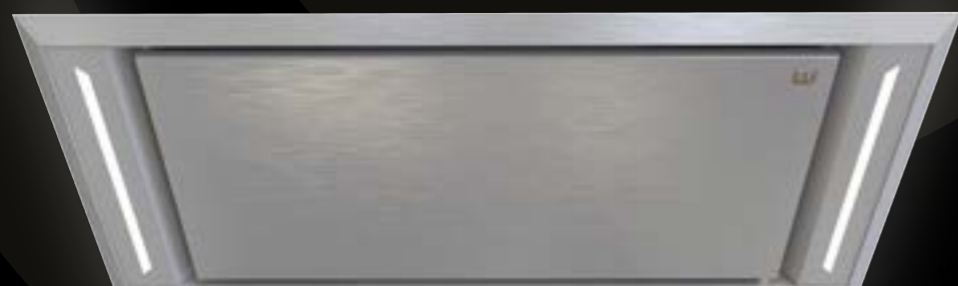
BAFFLE



PROFESSIONAL BAFFLE

LIGHTS

Choose the shape, style and number of lights on the hood. Choose from spotlights, strip lights, light bars or a light box. Our lights can be either fixed temperature or adjustable and dimmable via the controls. The bespoke hood can even incorporate your own lights to ensure a perfect match with other lighting in the kitchen. The lights can either be controlled from the hood, the Westin remote control, or integrated to operate alongside other room lighting.



THE FINISHING TOUCH

We offer a wide range of finishes for your hood. As well as brushed or polished stainless steel, hoods can be painted, clad or coated. You might want your hood to blend into your kitchen or make it a real focal point.



PAINT FINISHES

Cooker hoods can be painted to match any RAL colour or matched to a provided colour swatch. A painted finish can be in matt, satin or gloss.

LIQUID METAL COATINGS

Liquid metal is an innovative technique which gives a unique finish. The finish shares the same characteristics as real metal in lustre and feel. It will age and patinate in the same way as metal and can be applied to any liquid metal texture. As well as the Westin liquid metal offering listed below, customers have the option of sending their own metal sample to us for matching.

- BRASS – Antique, polished or brushed
- BRONZE – Antique, polished or brushed
- COPPER – Antique, polished or brushed
- PEWTER – Antique, polished or brushed





Kitchen by Blakes of London



Kitchen by Andrew Ryan & Co. Image by Paul Craig



Kitchen by Finch London



Kitchen by Guild Anderson



Kitchen by Andrew Ryan & Co. Image by Paul Craig

Sub Zero Wolf Showroom Maldon



Kitchen by Carvetii TCI



Kitchen by Clive Christian Scotland



Kitchen by David Lisle Kitchens



Kitchen by Andrew Ryan & Co. Image by Paul Craig



Kitchen by David Lisle Kitchens



Kitchen by Hetherington Newman



Kitchen by FORMStudio Architects



Kitchen by Grid Thirteen Luxury Kitchens



Kitchen by Hetherington Newman



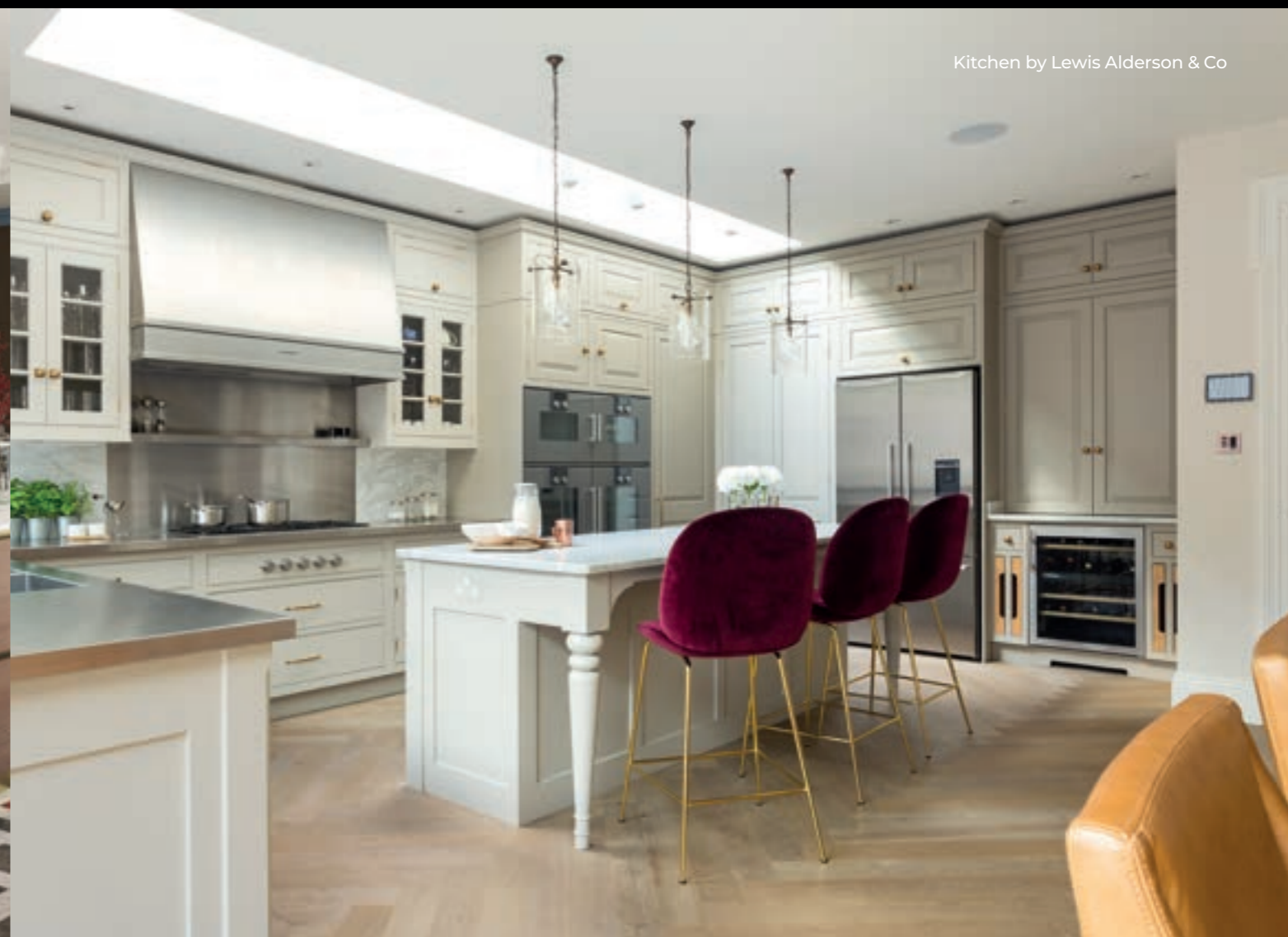
Kitchen by Lauren Nicholas Kitchens



Kitchen by Hobsons Choice



Kitchen by Lanserring



Kitchen by Lewis Alderson & Co



Kitchen by Matrix Design, Image by Nick Smith



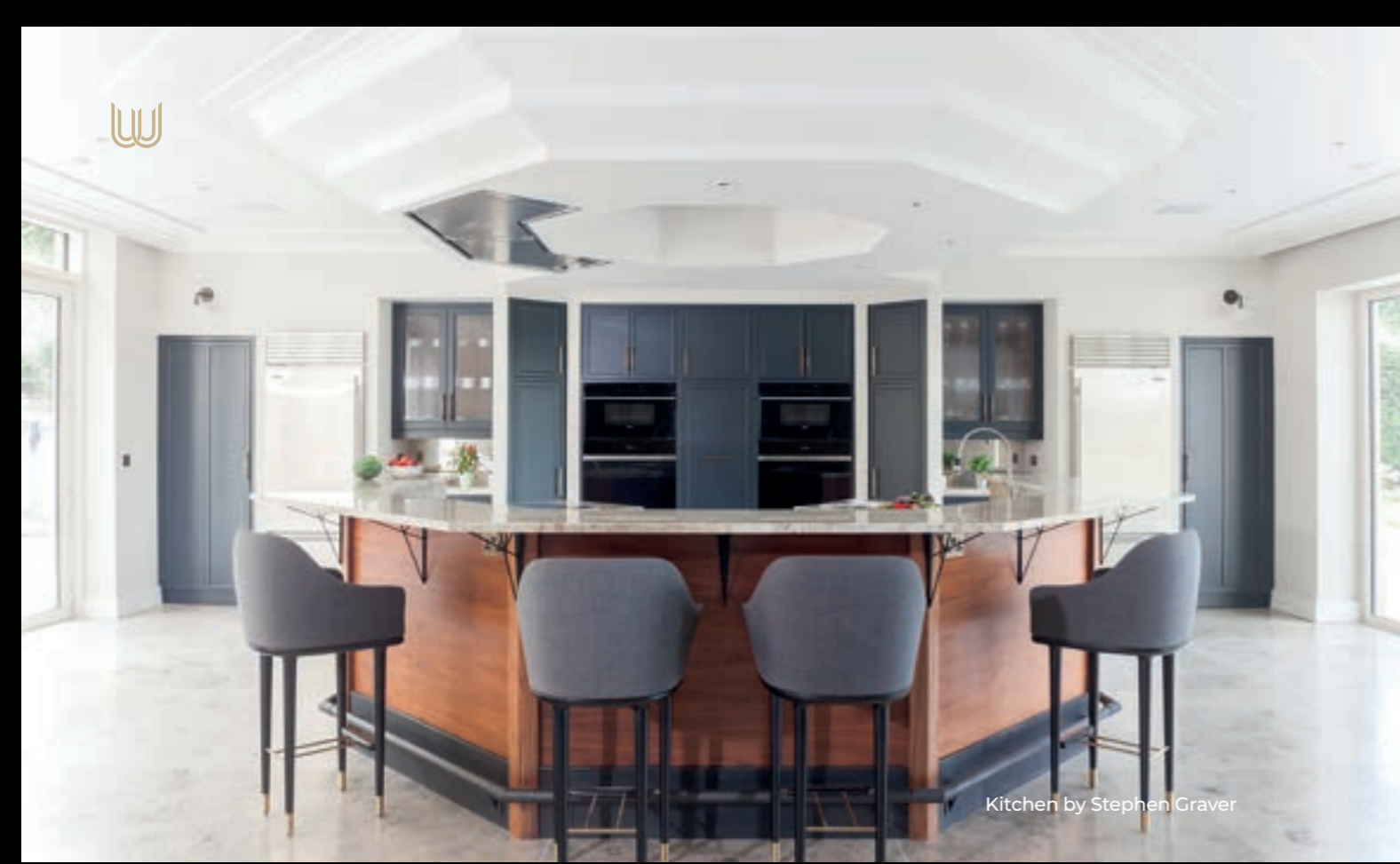
Kitchen by Roundhouse Design & Studio Ogee



Kitchen by MP Designs



Kitchen by Point 5 Kitchens



Kitchen by Stephen Graver



Kitchen by Naked Kitchens



Kitchen by Roundhouse Design & Studio Clement



Kitchen by Roundhouse Design



Kitchen by Naked Kitchens



Kitchen by Roundhouse Design



Kitchen by Stephen Neall Interiors



Kitchen by Such Designs



Kitchen by Yeo Design



Kitchen by The Woodworks



Kitchen by The Woodworks



Kitchen by The Woodworks. Image by Paul Craig



Kitchen by Tom Howley Kitchens



Kitchen by Johnny Grey



Kitchen by Matrix Kitchens. Image by Nick Smith



Kitchen by Stephen Neall Interiors



Kitchen by Blakes of London



Design by Stephen Kavanagh Architects. Image by Megan Taylor Photography



Kitchen by Elementi Cucina



Kitchen by David Lisle



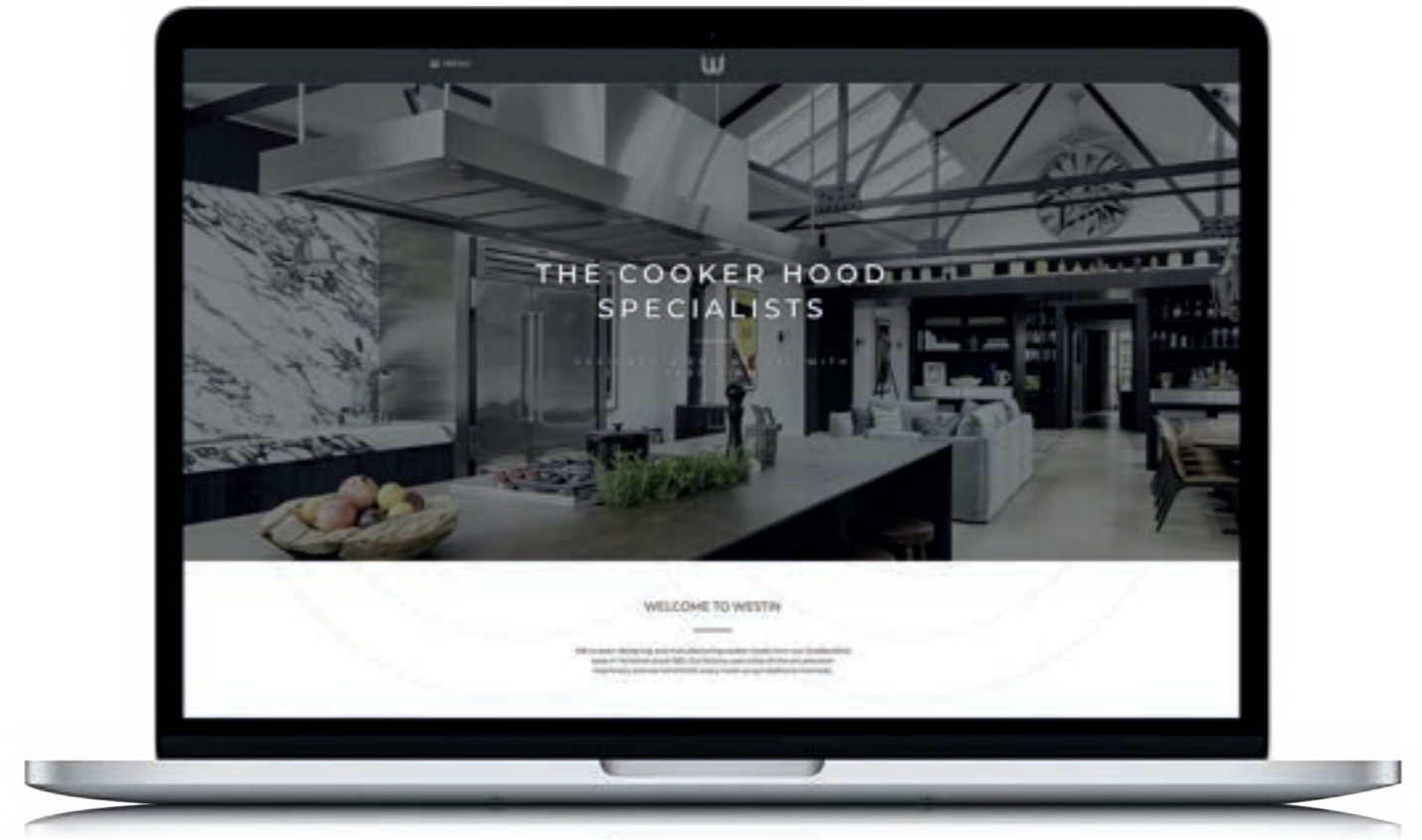
Kitchen by Mowlem & Co







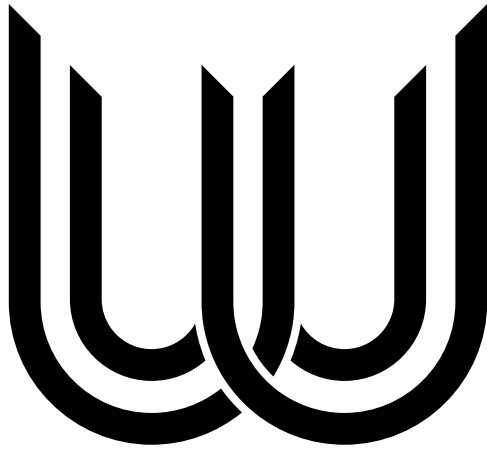
VISIT OUR WEBSITE



VISIT THE WESTIN WEBSITE FOR THE USUAL PRODUCT SPECIFICATION AND RESOURCES, ALONG WITH ALL NEW FEATURES INCLUDING INSPIRATIONAL CASE STUDIES

WESTIN.CO.UK





WESTIN.CO.UK